

### Electrical Specifications

#### Input

- Voltage: 120 - 250 VAC, 50-60Hz  
UL approved: 120 - 277 VAC, 50-60Hz
- Current, max: 1.05A at 120V/60Hz, 0.5A at 230V/50Hz, 0.45A at 277V/60Hz



#### Output

- Power: 100W max
- Voltage: 60V max, 57V typ
- Current range: 200 - 1,050 mA (configurable)
- Current: +/- 5% accuracy



#### General

- Standby power: < 0.5W
- Inrush current: 35A 240µs at 120V/60Hz, 67A 240µs at 230V/50Hz, 75A 240µs at 277V/60Hz
- Surge protection: 3kV (L to N), 4kV (L/N to GND)
- Efficiency: 90% at full load, ≥ 87% above 50W output
- Power factor: > 0.94
- THD at 100% load, max: < 10%
- DALI: IEC 62386-207



#### Use cases

	4 LED outputs, per output:	4 LED outputs, per output:	4 LED outputs, per output:	4 LED outputs, per output:	4, 3, 2 or 1 LED output per output:
<b>Power, max: 100W</b>	25 W	25W	25W	25W	≤ 60W *
<b>Voltage (Vf), max: 57V</b>	57V	50V	35.7V	23.8V	≤ 57V
<b>Current range: 200 - 1,050mA</b>	400mA	500mA	700mA	1,050mA	≤ 1,050mA **

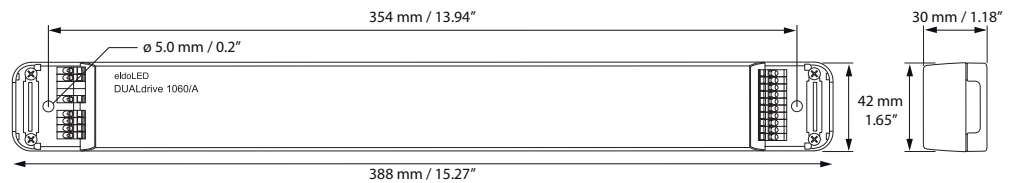
\* Total power output driver: 100W max

\*\* LED output current is configurable

### Dimensions and weight

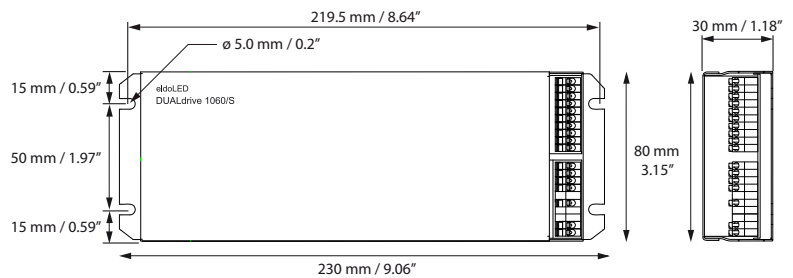
#### DUALdrive 1060/A

Weight: 710 g, 25 oz



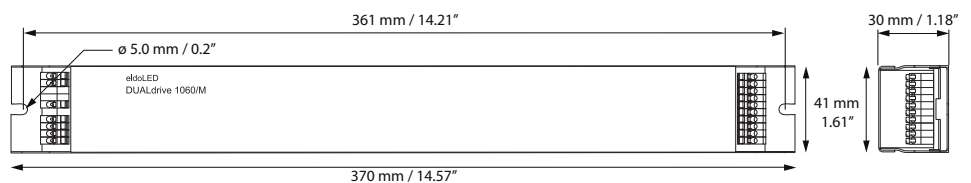
#### DUALdrive 1060/S

Weight: 880 g, 31 oz



#### DUALdrive 1060/M

Weight: 830 g, 29.3 oz



**Wiring data**

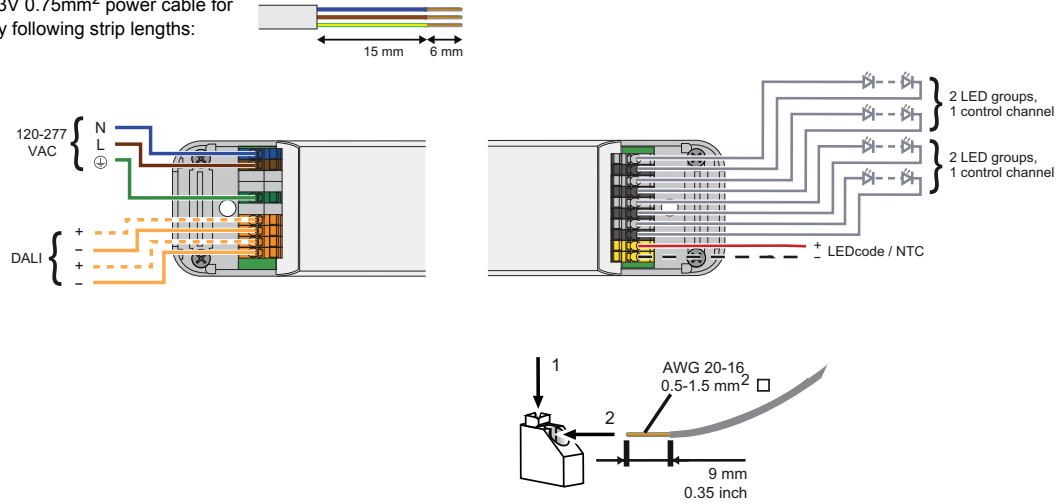
- Wire type: solid or stranded copper
- Wire strip length: 9mm, 0.35 in.
- Wire core cross section: 0.5 - 1.5 mm<sup>2</sup>, AWG 20 - 16

- Maximum LED wiring length:

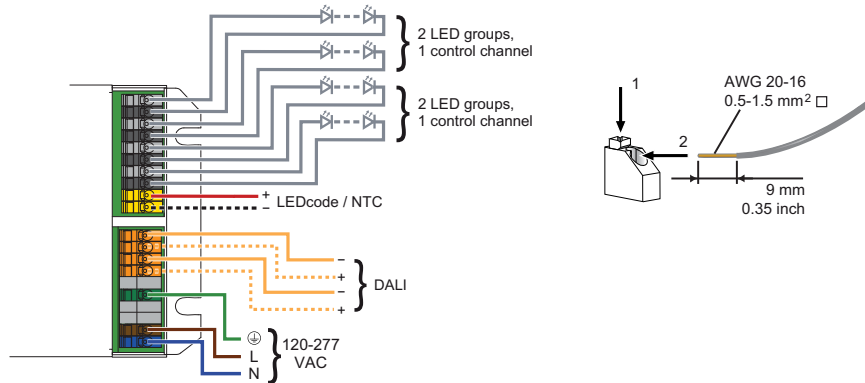
AWG value	20	19	18	17	16
Distance (m)	14	18	22	28	36
Distance (ft)	46	59	72	92	118

**DUALdrive 1060/A**

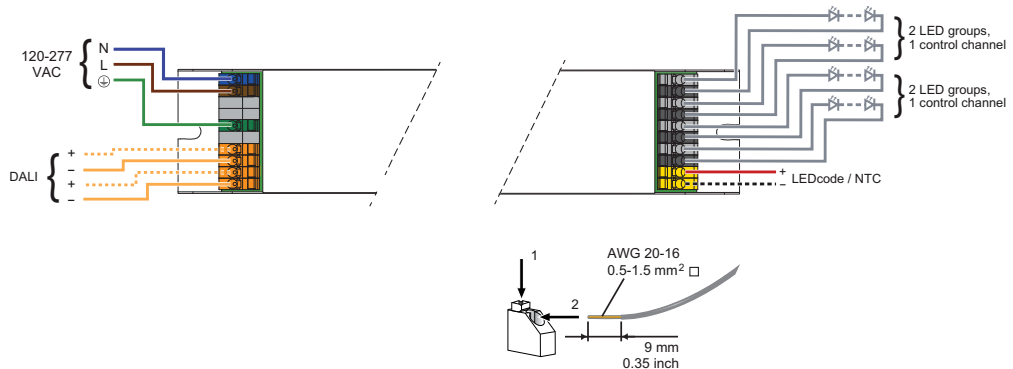
In Europe, use a H03V 0.75mm<sup>2</sup> power cable for the 1060/A and apply following strip lengths:



**DUALdrive 1060/S**



**DUALdrive 1060/M**



WARNING: Risk of electrical shock. May result in serious injury or death. Disconnect power before servicing or installing.



CAUTION: The device may only be connected and installed by a qualified electrician. All applicable regulations, legislation and building codes must be observed. Incorrect installation of the device can cause irreparable damage to the device and the connected LEDs.



CAUTION: Pay attention when connecting the LED groups: polarity reversal results in no light output and often damages the LEDs.

**Other information**

**Thermal**

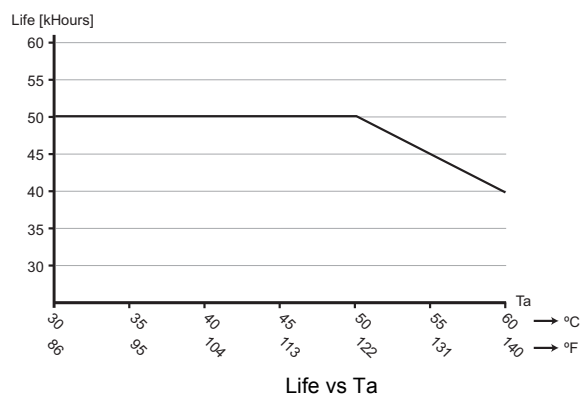
- Ta range: -40 °C ... +50 °C / -40 °F ... +122 °F
- Tc max: DUALdrive 1060/A 90 °C / 194 °F  
DUALdrive 1060/M 85 °C / 185 °F  
DUALdrive 1060/S 83 °C / 181 °F
- Typical self-rise of 30 °C / 83 °F at maximum load in free air without heat sink
- LED temperature feedback using 47kΩ NTC thermistor.  
Recommended thermistors by Vishay:
  - NTCS0805E4473JXT (SMD version)
  - 238164063473 (leaded version)
  - NTCASCWE3473J (screw version)

**Certifications**

- IEC 61347-1, IEC 61347-2-13, IEC 62384, EN 55015, EN 55022, IEC 61000-3-2, IEC 61547, IEC 62386-101/102/207
- CE
- ENEC by VDE
- UL: Recognized Component for US and Canada (file no E333135), according to UL1310, UL8750.  
US: Class 2 output. Canada: Non-Class 2 output.
- FCC: Title 47CFR Part 15 Class B



**Lifetime data**

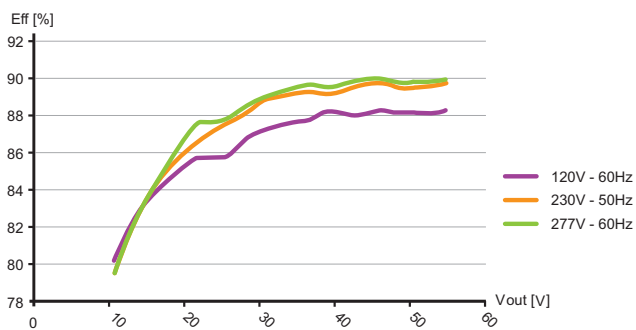


- Life expectancy of 50K hours at Ta of lower or equal to 50 °C / 122 °F
- MTBF: 480,000 hours

All measurements have been carried out at maximum load in free air without heat sink.

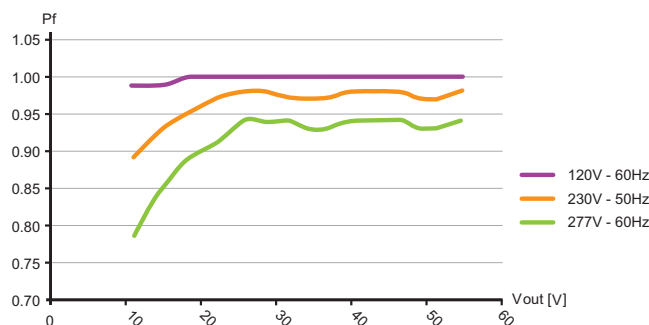
All lifetime-related figures are the result of simulations. Actual lifetime tests are ongoing.

**Efficiency data**



Efficiency vs Vout at Ta 25 °C / 77 °F

**Power factor data**



Power factor vs Vout at Ta 25 °C / 77 °F

**Europe, Rest of World**

eldoLED Europe bv  
Luchthavenweg 18a  
NL-5657 EB Eindhoven  
The Netherlands  
T: +31 40 2054050  
F: +31 40 2054058  
E: info@eldoled.com

**North America**

eldoLED America, Inc.  
1762 Technology Drive #226  
San Jose, CA 95110  
USA  
T: +1 408 451-9333  
F: +1 408 451-9335

**Other documentation and support**

Visit [www.eldoled.com/ACsupport](http://www.eldoled.com/ACsupport) for further documentation such as quick start guide, wiring diagram, tech sheet and 3D IGES files.

**Warranty**

eldoLED represents and warrants that for a period of 3 (three) years, as of the date of invoice, Products materially meet the specifications and specifically agreed upon quality, both as stated in the applicable datasheet and/or written design-in specifications, or as stated in writing otherwise by eldoLED, provided that these specifications are explicitly designated by eldoLED as "warranted specifications".

For the complete warranty text, visit [www.eldoled.com/terms](http://www.eldoled.com/terms).

Sales support US/Canada: [nasales@eldoled.com](mailto:nasales@eldoled.com)  
Sales support Rest of the World: [sales@eldoled.com](mailto:sales@eldoled.com)

**Notes**

---