

Electrical Specifications

Input

- Voltage:
120-277V AC, 50-60Hz
120-250V DC, 50-60Hz
- Current, max: 0.7A



Output

- Power: 50W max
- Voltage: 55V max
- Current range: 200 - 1,050 mA (configurable)
- Current: +/- 5% accuracy



General

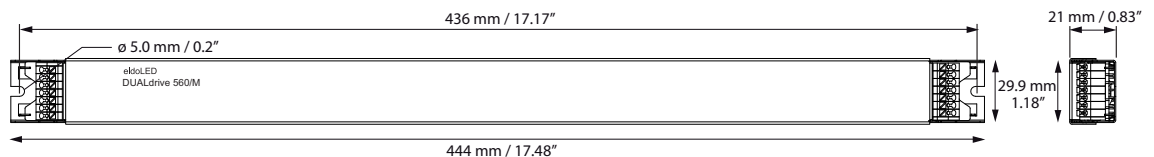
- Standby power: < 0.5W
- Inrush current: negligible, 30mA²s @ 277V
- Surge protection: 1kV differential mode surge, 2kV common mode surge
- Efficiency: 89% at full load, ≥ 85% above 67% load
- Power factor: > 0.9C
- THD: <20% between 67% and 100% load
- DALI: EN 62386-101/102/207



Dimensions and weight

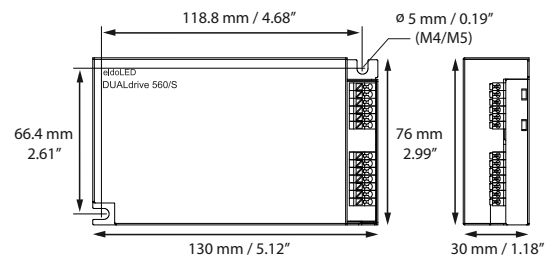
DUALdrive 560/M

Weight: 360 g,
12.7 oz
Packaging:
8 or 28 pcs/carton



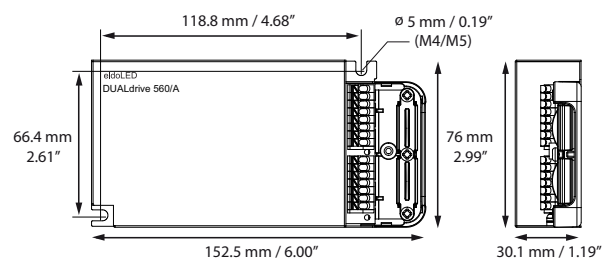
DUALdrive 560/S

Weight: 350 g, 12.35 oz
Packaging: 6, 10 or 45 pcs/carton



DUALdrive 560/A

Weight: 372 g, 13.12 oz
Packaging: 6 or 45 pcs/carton



Wiring data

- Wire type: solid or stranded copper
- Wire strip length: 9mm, 0.35 in.
- Wire core cross section: 0.5 - 1.5 mm², AWG 20 - 16

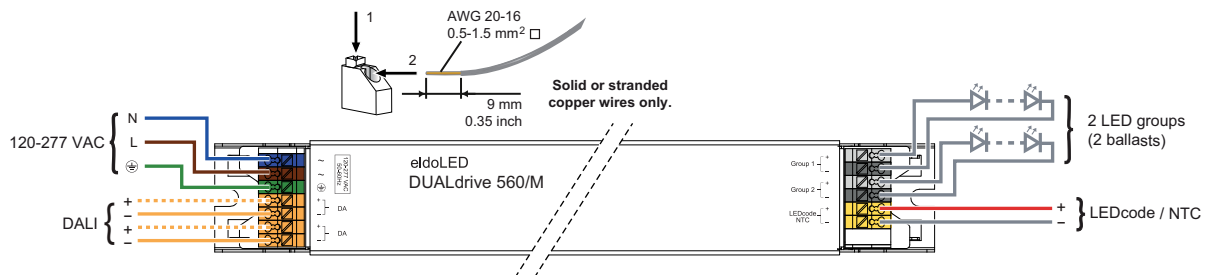
- Maximum LED wiring length:

AWG value	20	19	18	17	16
Distance (m)	14	18	22	28	36
Distance (ft)	46	59	72	92	118

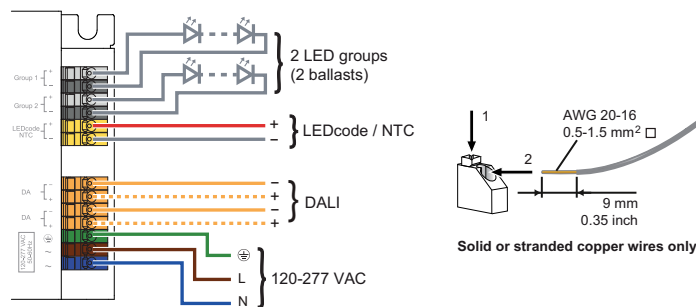
⚠ Please observe voltage drop over long cable lengths.

⚠ Longer cable lengths increase EMI susceptibility.

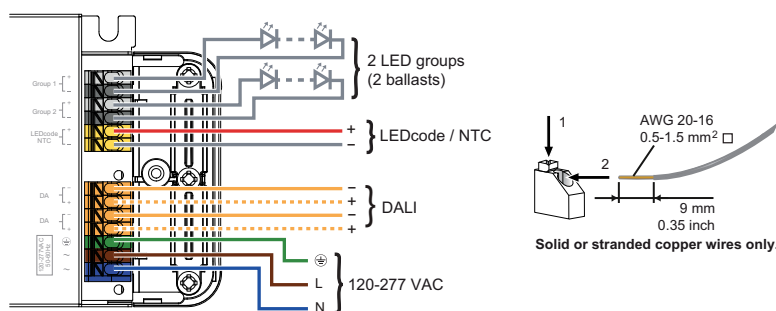
DUALdrive 560/M



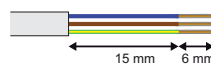
DUALdrive 560/S



DUALdrive 560/A



In Europe, use a H03V 0.75mm² power cable for 561/A and apply following strip lengths:



⚠ **WARNING:** Risk of electrical shock. May result in serious injury or death. Disconnect power before servicing or installing.

⚠ **CAUTION:** The device may only be connected and installed by a qualified electrician. All applicable regulations, legislation and building codes must be observed. Incorrect installation of the device can cause irreparable damage to the device and the connected LEDs.

⚠ **CAUTION:** Pay attention when connecting the LED groups: polarity reversal results in no light output and often damages the LEDs.

Other information

Thermal

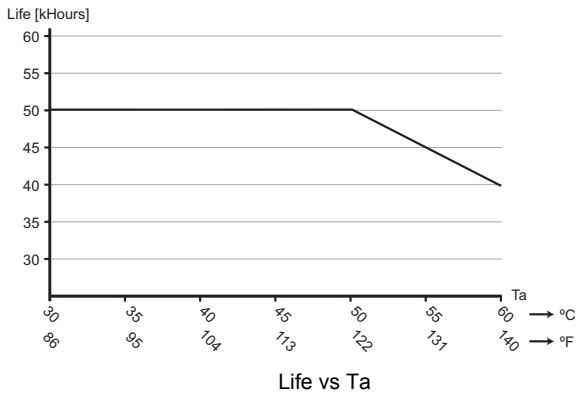
- Ta range: -20 °C to +50 °C / -4 °F to +122 °F
- Tc max: 85 °C / 185 °F
- Tc lifetime: 78 °C / 172 °F
- LED temperature feedback using 47kΩ NTC thermistor.
Recommended thermistors by Vishay:
 - NTCS0805E4473JXT (SMD version)
 - 238164063473 (leaded version)
 - NTCASCWE3473J (screw version)

Certifications

- EN 61347-1 / -2-7 / -2-13, EN 62384, EN 55015, EN 55022, EN 61000-3-2, EN 61547, EN 62386-101/102/207
- CE
- ENEC by DEKRA
- EL
- UL: Recognized Component (file no E333135), according to UL1310, UL8750. US/Canada: Class 2 output.
- FCC: Title 47CFR Part 15 Class B
- RCM by SAA



Lifetime data



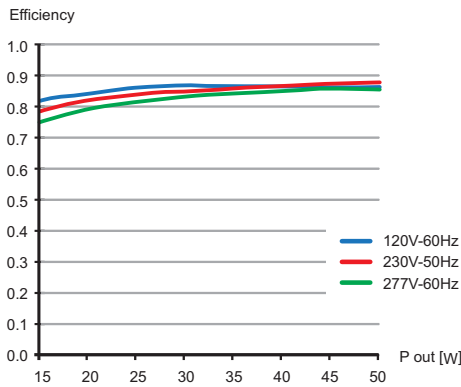
- Life expectancy of 50K hours at Ta of lower or equal to 50 °C / 122 °F
- MTBF: 480,000 hours

All measurements have been carried out at maximum load in free air without heat sink.

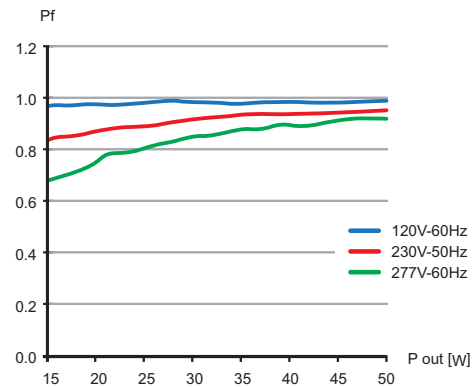
All lifetime-related figures are the result of simulations. Actual lifetime tests are ongoing.

The following efficiency, power factor and THD diagrams are the result of measurements of a worst case scenario: both LED outputs were stressed at 24V and 1,050mA.

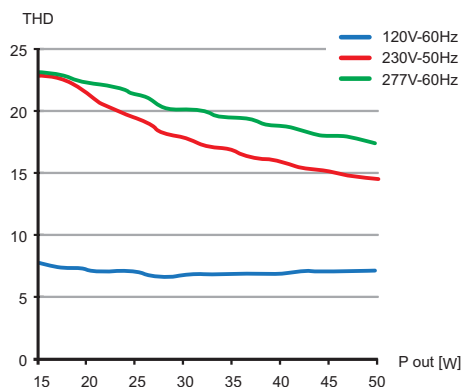
Efficiency data



Power factor data



Total Harmonic Distortion data



Use cases

	2 LED outputs, per output:	2 LED outputs, per output:	2 LED outputs, per output:	1 LED output, per output:	2 or 1 LED output, per output:
Power, max: 50W	25 W	25 W	25 W	50 W	≤ 50 W *
Voltage (Vf), max: 55V	55 V	35.7 V	23.8 V	50 V	≤ 55 V
Current range: 200 - 1,050mA	450 mA	700 mA	1,050 mA	1,000 mA	≤ 1,050 mA **

* Total power output driver: 50W max

** LED output current is configurable

Europe, Rest of World

eldoLED B.V.
Science Park Eindhoven 5125
NL-5692 ED Son
The Netherlands
T: +31 40 7820400
E: sales@eldoled.com

North America

eldoLED America
One Lithonia Way
Conyers, GA 30012
USA
T: +1 877 353-6533
E: nasales@eldoled.com

Warranty

eldoLED represents and warrants that for a period of 3 (three) years, as of the date of invoice, Products materially meet the specifications and specifically agreed upon quality, both as stated in the applicable data-sheet and/or written design-in specifications, or as stated in writing otherwise by eldoLED, provided that these specifications are explicitly designated by eldoLED as "warranted specifications".

For the complete warranty text, visit www.eldoled.com/terms.

Other documentation and support

Visit www.eldoled.com/support for further documentation such as quick start guide, wiring diagram, tech sheet and 3D IGES files.